

safesite[®]

F A C I L I T I E S

Slot Block Barrier

SPECIFICATION SHEET



Slot Block Barrier

Slot Block bases are constructed from robust 100% recyclable plastic and provide water-filled stability to industry standard temporary fencing. Two base units are required to support each 3.5m fence panel securely.

Slot Blocks are relatively lightweight at only 14kg each when unfilled which helps enable quick and easy deployment and assembly - despite being lightweight when unfilled two fully filled interlocked Slot Blocks will achieve a weight of 320kg. In addition to the heavy base extra stability is gained by a robust eyelet screw and bolt system which clamps the mesh fence panel in place.

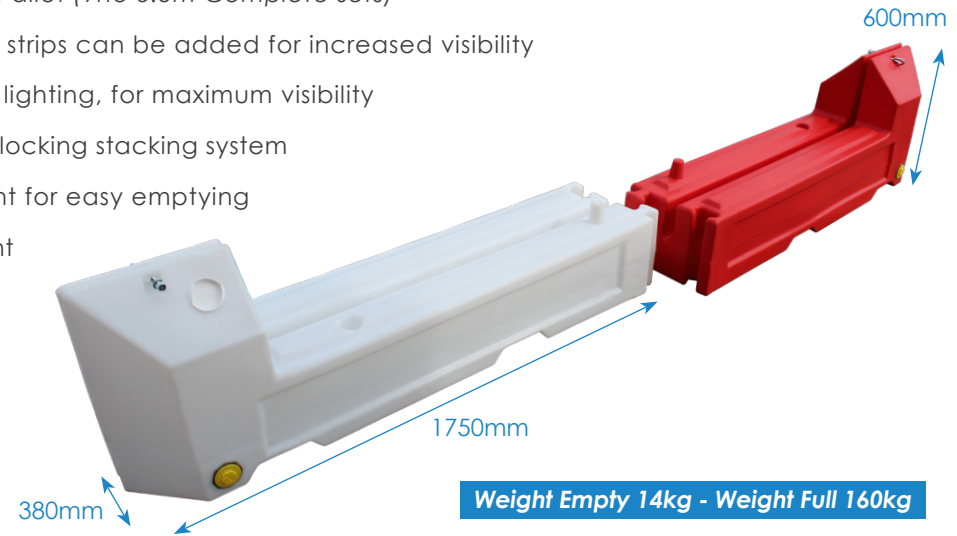
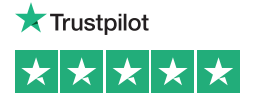
They are ideal in a variety of situations where temporary fencing is required, such as emergency maintenance or repair. These barriers offer multiple uses across sites.

Slot Block Specification

Length	Height	Width	Weight Empty	Weight Full
1750mm	600mm	380mm	14kg	160kg
Length Joined: 3.5m - Weight Combined: 320kg				
Barriers per double pallet = 20				

Key Features

- Branding and 'mould-in graphics' available
- Available in a range of highly visible colours
- 20 Units per Double Pallet (9no 3.5m Complete sets)
- 1250 x 150 reflective strips can be added for increased visibility
- Points for additional lighting, for maximum visibility
- Fitting and hole interlocking stacking system
- 50mm drainage point for easy emptying
- 75mm Water Fill point
- Water-filled stability
- Rotates 90 degrees



Slot Blocks Supporting Anti-Climb Fencing



Slot Blocks Securing Construction Site



Slot Block With Mesh Fence

As well as offering versatile layouts through its 90° rotation, the innovative design of the Slot Block Barrier means that standard mesh barriers can be easily slotted into the base.

Using Slot Block Barriers to support the efficient deployment and use of standard mesh panels brings superior stability at the base, where it is needed most, with a high visibility finish which can also incorporate company branding and safety signs.

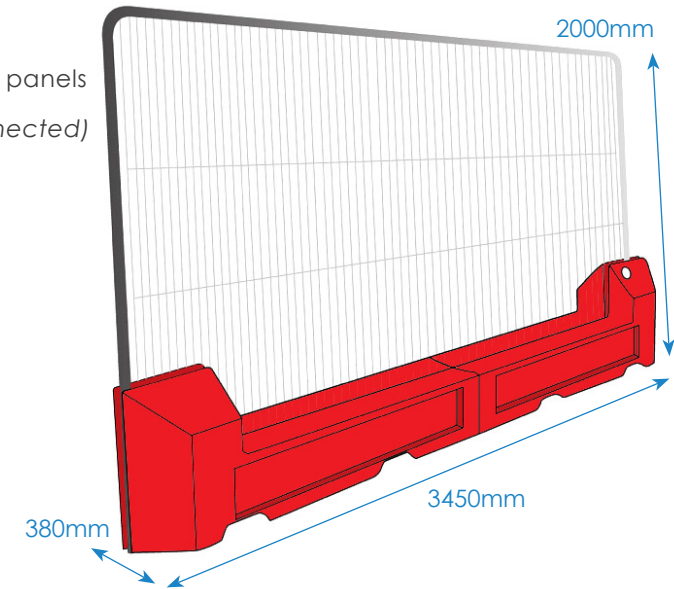
The small footprint of these bases makes them the go-to barrier for minimum disruption but maximum safety in a range of construction needs and particularly for busy thoroughfares and city sites.

Mesh Fence Specification

Length	Height	Depth	Panel Weight
3450mm	2000mm	38mm	15.9kg

Key Features

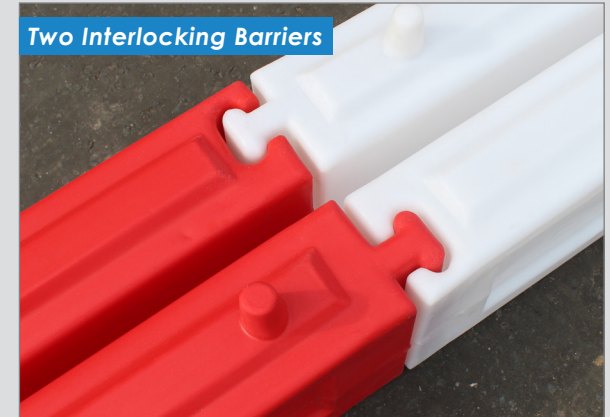
- Small footprint for inner-city projects
- Eyelet screw and bolt fence clamp system
- Slot in groove for easy assembly
- Compatible with standard 3.5m x 2m mesh panels
- Combined base weight 320kg (2 units connected)
- Withstood wind speeds of up to 57mph
- Forklift slots for ease of stacking & loading



Eyelet Screw & Bolt For Securing Fence



Two Interlocking Barriers



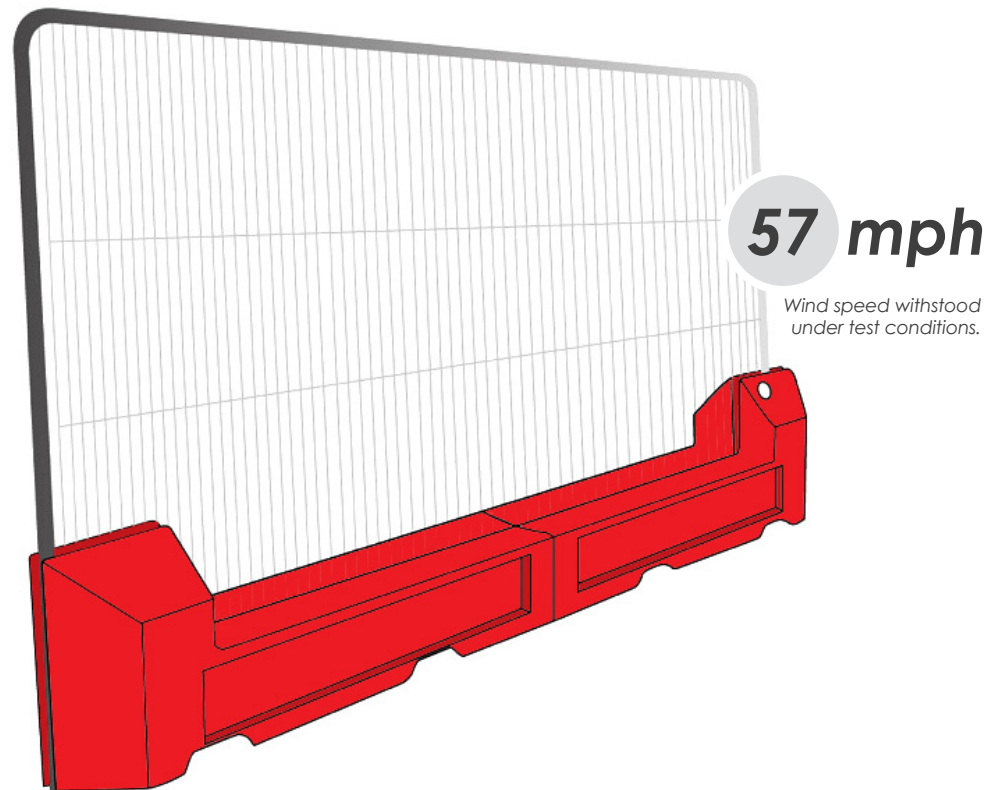
Slot Block With Mesh Fence Wind Loading

The Slot Block Barrier with mesh fence has been rigorously tested within wind tunnel conditions.

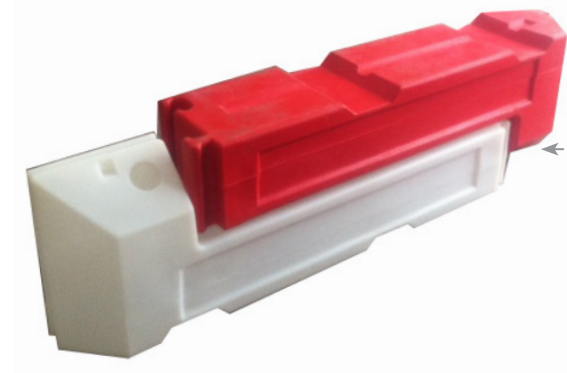
With the wide 3450mm span of the water filled slot block base forming a solid footing, the inserted fence withstood wind speeds of up to 57mph under specific test conditions.

PLEASE NOTE wind speed resistance may vary depending on environmental factors / conditions such as but not limited to, terrain, wind direction, sufficient water ballast and if signage has been attached to the fence panels.

1 Slot Block Barrier + Mesh Fence Panel



Technical Details



Easy to stack utilising the moulded fittings and holes which form insertion points when stacking and loading

